

- +85°C 5000 小时 Load life of 5000 hours at +85°C
- 适用于变频空调、逆变器 Used for air conditioner, general-purpose inverter
- 耐高纹波电流 High ripple current

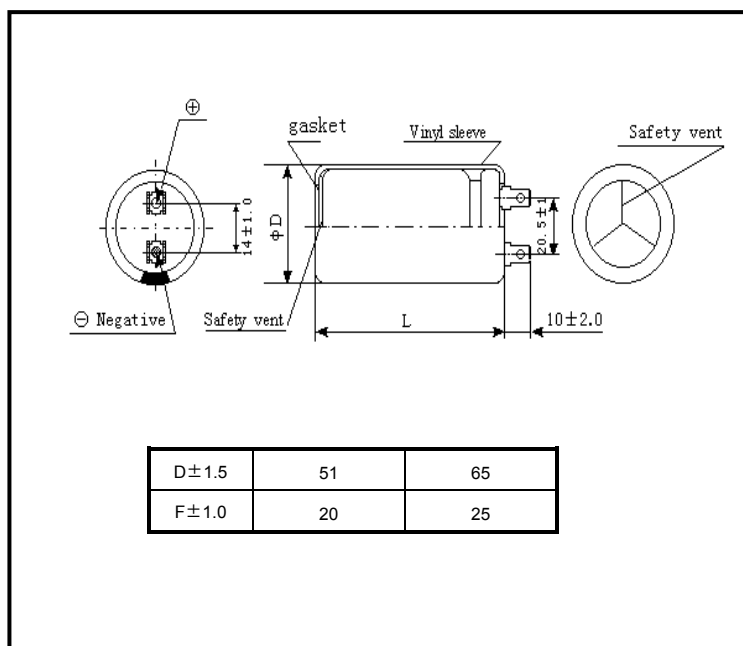
■ 主要技术性能 Specifications

项目 Item	特性 Characteristics	
使用温度范围 Operating temperature range(°C)	-25~+85	
额定电压范围 Rated voltage range(V)	400~450	
标称电容量范围 Nominal capacitance range(μF)	680~3900	
标称电容量允许偏差 Capacitance tolerance(%)	±20 (20°C,120Hz)	
漏电流 Leakage current	$I \leq 0.01C_R U_R (\mu A)$ or 5mA (取较小者 Whichever is smaller) (at 20°C after 5 minutes)	
损耗角正切值 Dissipation factor(tg δ) (20°C,120Hz)	$U_R(V)$	400
	tg δ (max)	0.20
耐久性 Load life (+105°C)	时间 Time	5000 hours
	容量变化率 Capacitance change	Within ±20% of the initial value
	漏电流 Leakage current	Not more than the Initial specified value
	损耗角正切值 Dissipation factor	Not more than 200% of the Initial specified value
高温贮存 Shelf life (+105°C)	时间 Time	1000 hours
	容量变化率 Capacitance change	Within ±20% of the initial value
	漏电流 Leakage current	Not more than the Initial specified value
	损耗角正切值 Dissipation factor	Not more than 200% of the Initial specified value

试验后: 施加额定电压 30 分钟, 于 24 至 48 小时之间测试。  
After test:  $U_R$  to be applied for 30 minutes, 24 to 48 hours before measurement.

■ 外形尺寸表 Case size table

■ 允许纹波电流的修正系数  
Multiplier for ripple current



Frequency Coefficient

Freq (Hz)	50,60	120	300	1K	10K
Factor	0.7	1.0	1.1	1.3	1.4

Temperature coefficient

Temperature(°C)	+40	+60	+70	+85
Factor	2.7	2.02	1.67	1.0

■ 标称电容量、额定电压、浪涌电压、额定纹波电流与外形尺寸对应表

**Nominal capacitance, rated voltage, rated ripple current and case size table**

Rated voltage (V.DC)	Surge voltage (V.DC)	Rated capacitance ( $\mu$ F)	Max ripple current 85°C 120Hz (A)	Size $\phi$ D×L(mm)
400	450	680	2.7	$\phi$ 51×65
		820	3.0	$\phi$ 51×65
		1000	3.5	$\phi$ 51×75
		1200	3.8	$\phi$ 51×75
		1500	4.7	$\phi$ 51×95
		1800	5.1	$\phi$ 51×95
		2200	6.2	$\phi$ 51×120
		2700	6.9	$\phi$ 65×95
		3300	7.9	$\phi$ 65×105
		3900	9.0	$\phi$ 65×120
450	500	680	2.6	$\phi$ 51×65
		820	3.1	$\phi$ 51×75
		1000	3.5	$\phi$ 51×75
		1200	4.3	$\phi$ 51×95
		1500	4.8	$\phi$ 51×110
		1800	5.5	$\phi$ 51×120
		2200	6.3	$\phi$ 65×95
		2700	7.1	$\phi$ 65×105
		3300	8.3	$\phi$ 65×120
		3900	9.8	$\phi$ 65×140

\* I<sub>r</sub>-Rated ripple current (+85, 120Hz)